

SINGER
1019/1025/1027

LIST OF PARTS

Sewing Machine Series

1019

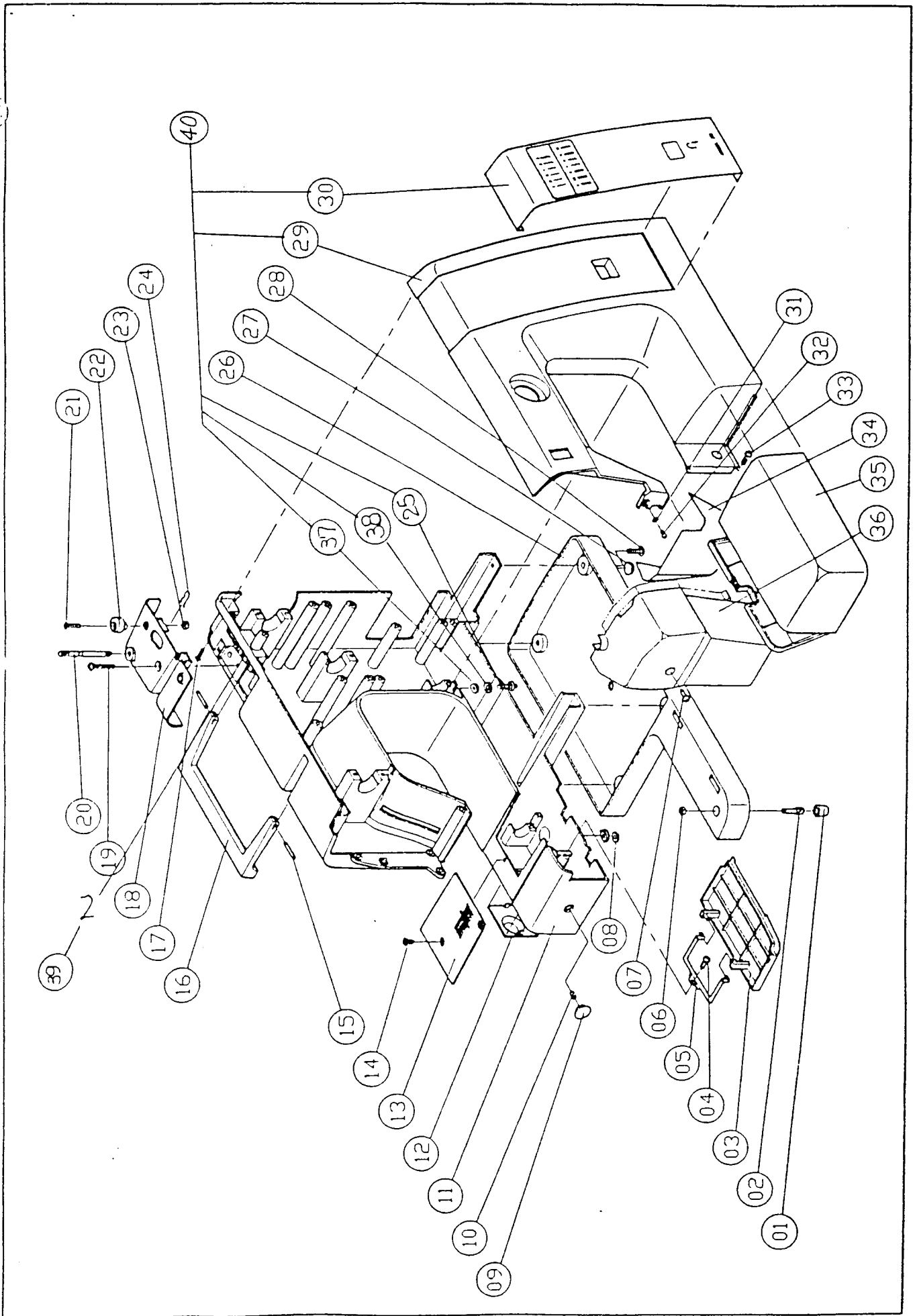
1025

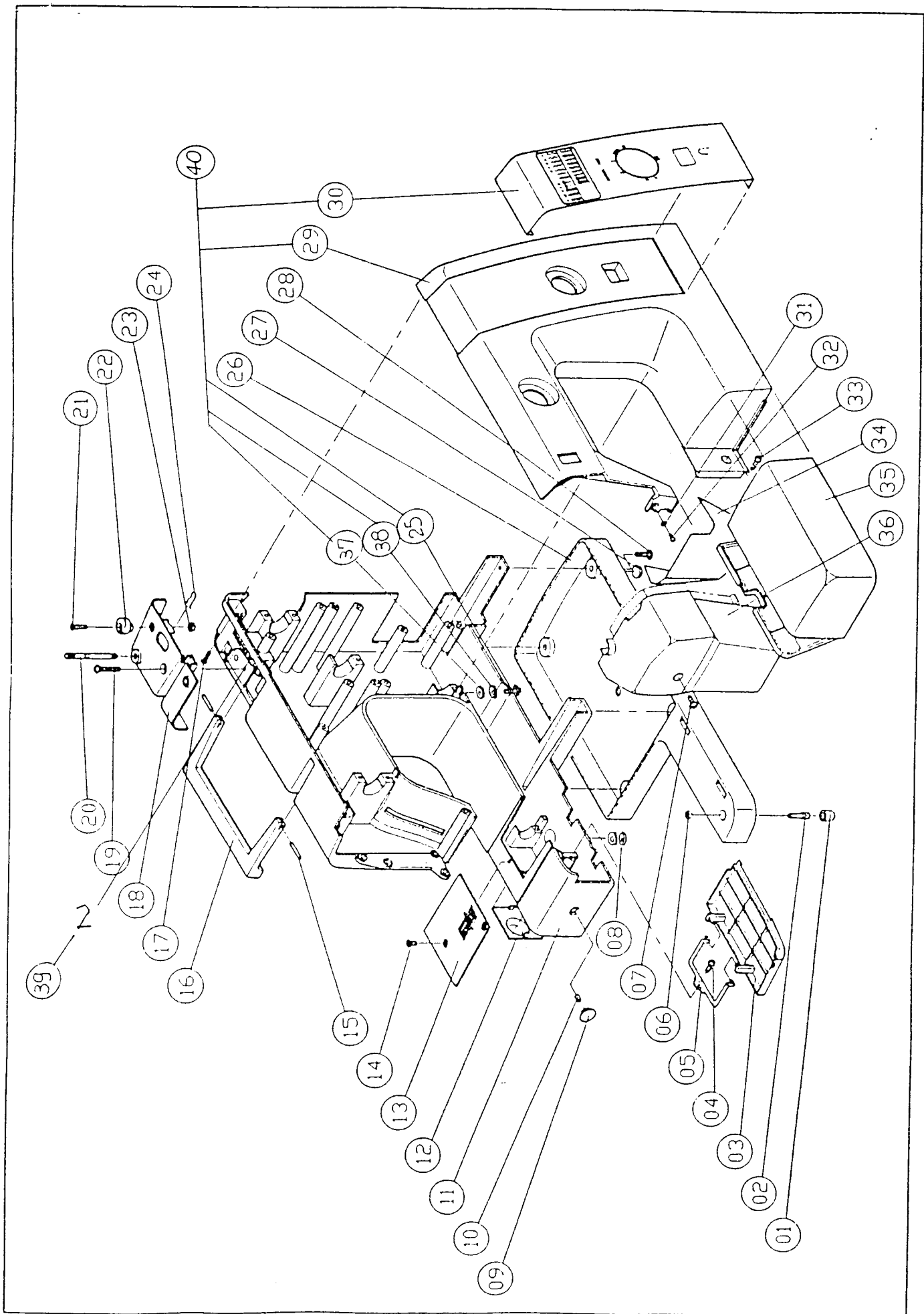
1027

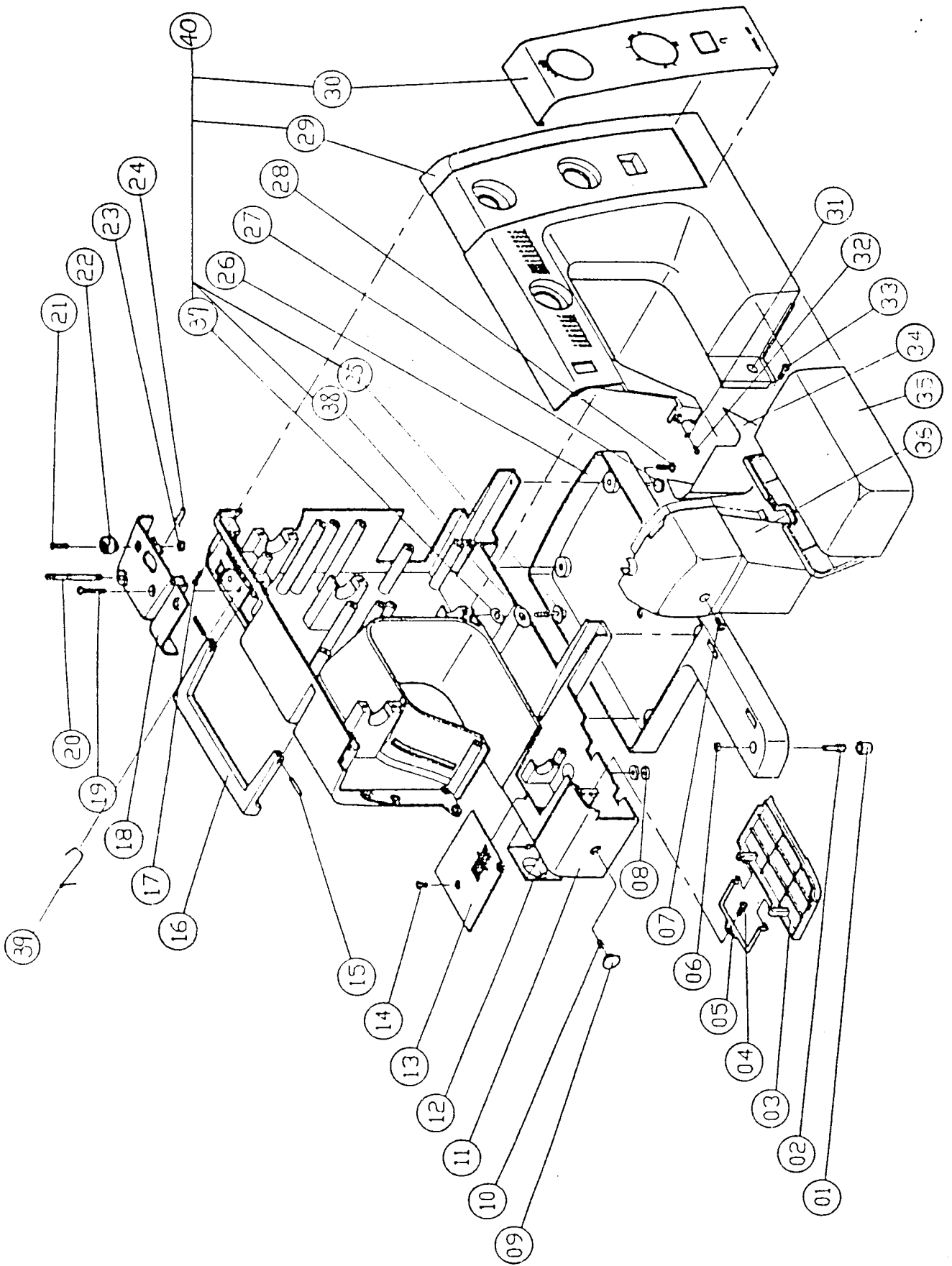
INDEX

PAGE NO. SUB ASSEMBLY

2 - 5	HOUSING PARTS
6 - 7	THREAD TENSION
8 - 10	HEAD END PARTS
11 - 13	ARM SHAFT, HANDWHEEL AND BOBBIN WINDER
14 - 15	HOOK DRIVE SYSTEM
16 - 18	STITCH LENGTH DRIVE
19 - 20	STITCH LENGTH ADJUSTMENT (1025 / 1027)
21 - 22	REVERSE CONTROL (1019)
23 - 30	PATTERN SELECTOR MODULE
31 - 33	ELECTRICAL PARTS

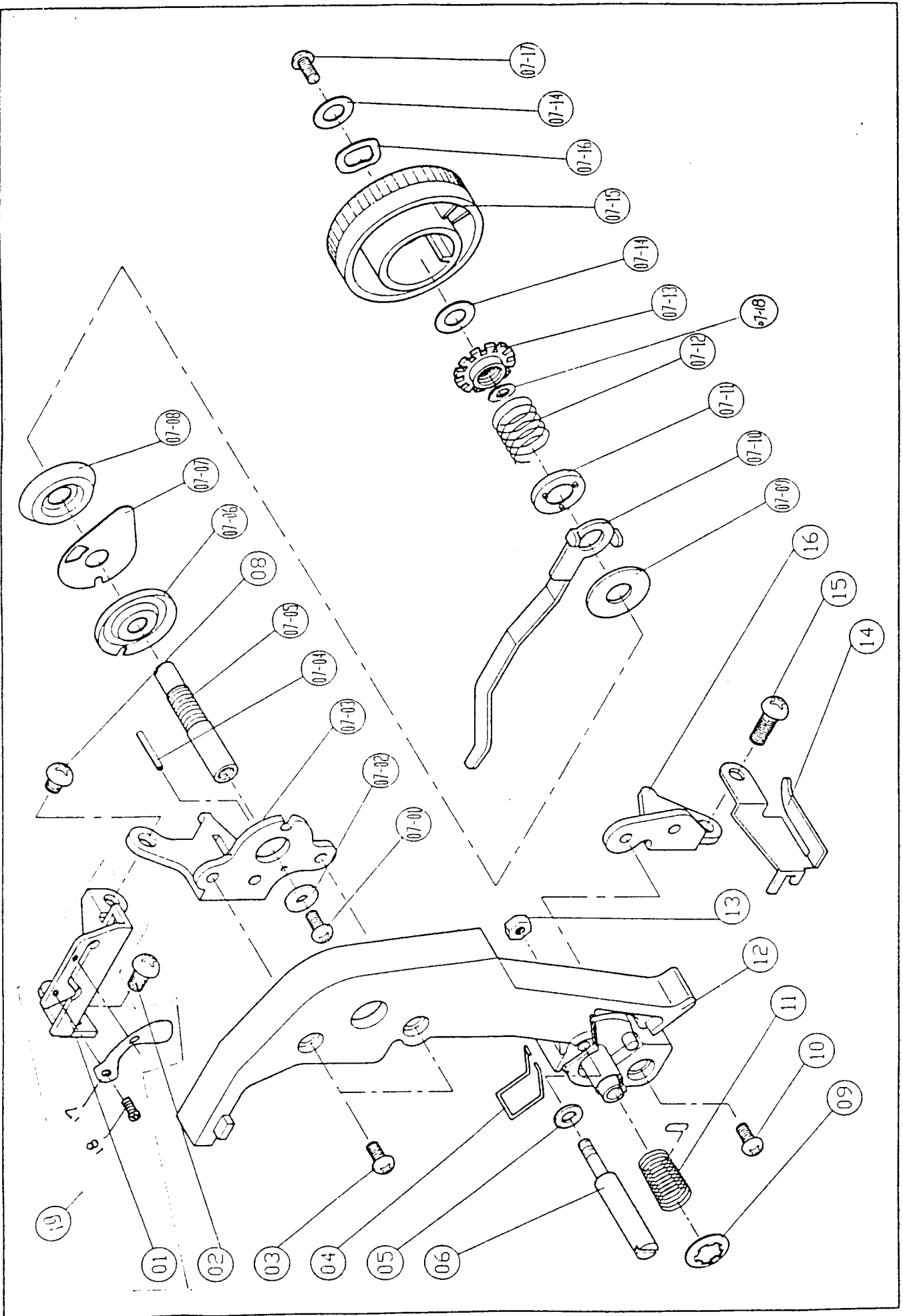






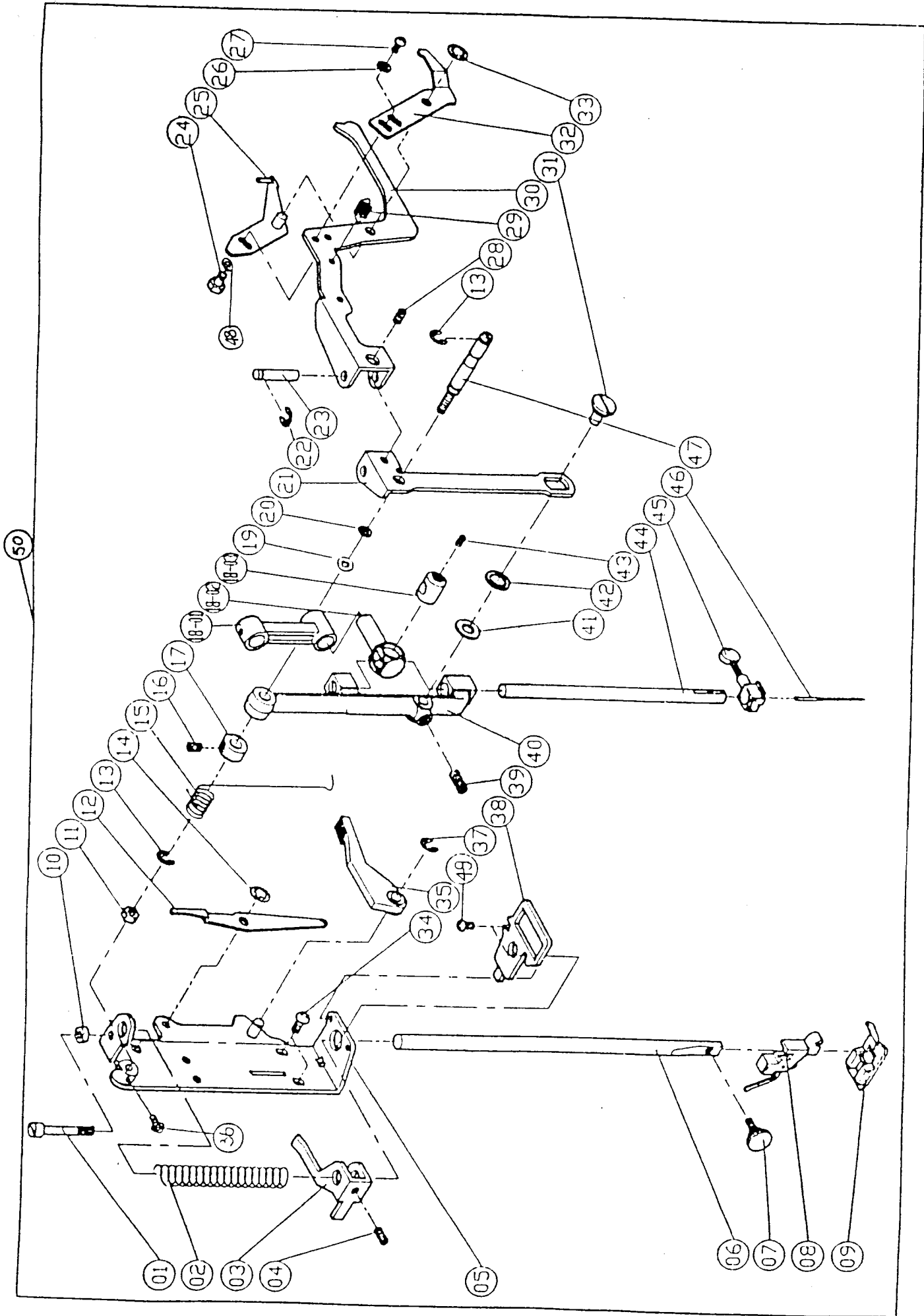
HOUSING PARTS
MODEL: 1019/1025/1027

REF. NO.	PART NO.	DESCRIPTION	1 1 1		
			0 0 0	1 2 2	9 5 7
1	403019	FRAME CUSHING	X	X	X
2	403020	SCREW	X	X	X
3	403022-451	SHUTTLE COVER	X	X	X
4	403229-455	SCREW	X	X	X
5	403021	SHUTTLE COVER SPRING	X	X	X
6	403225	NUT	X	X	X
7	403232-453	SCREW	X	X	X
8	403005	NYLON WASHER	X	X	X
9	403006	SHUTTLE ADJUSTING SCREW COVER	X	X	X
10	403249-452	SCREW	X	X	X
11	403001-452	FRAME (PAINTED)	X	X	X
12	403008	SHUTTLE REAR COVER	X	X	X
13	403009	NEEDLE PLATE	X	X	X
14	403218	SCREW	X	X	X
15	403010	MACHINE HANDLE PIN	X	X	X
16	403011-451	MACHINE HANDLE	X	X	X
17	403235-454	SCREW	X	X	X
18	403012-451	BOBBIN WINDER COVER	X	X	X
19	403232-451	SCREW	X	X	X
20	403013-002	SPOOL PIN	X	X	X
21	403547-451	SET SCREW, BOBBIN WINDER STOPPER	X	X	X
22	403014	BOBBIN WINDER STOPPER	X	X	X
23	403228	NUT	X	X	X
24	403015	SPINDLE SPRING	X	X	X
25	403235-454	SCREW	X	X	X
26	403003-452	BASE COVER (PAINTED)	X	X	X
27	403016	BASE COVER CUSHING	X	X	X
28	403232-452	SCREW	X	X	X
29	403341-451	FRONT COVER	X	X	
	403002-900	FRONT COVER			X
30	403023-458	CONTROL PANEL	X		
	403024-455	CONTROL PANEL		X	
	403017-456	CONTROL PANEL			X
31	403230-460	WASHER	X	X	X
32	403245-452	SCREW	X	X	X
33	403232-454	SCREW, FRONT COVER SETTING	X	X	X
34	403007	FACE PLATE INSERT	X	X	X
35	403043-451	CLOTH PLATE	X	X	X
36	403004-451	FACE PLATE	X	X	X
37	403240	RETAINING RING	X	X	X
38	403230-459	WASHER PLAIN	X	X	X
39	403018	LEAD HOLDER SPRING	X	X	X
40	403288-006	CONTROL PANEL COMPLETE			X
	403354-455	CONTROL PANEL COMPLETE		X	
	403363-458	CONTROL PANEL COMPLETE	X		



THREAD TENSION
MODEL: 1019/1025/1027

REF. NO.	PART NO.	DESCRIPTION	1	1	1
			0	0	0
			1	2	2
			9	5	7
1	403025	THREAD GUIDE PLATE	X	X	X
2	403229-455	SCREW	X	X	X
3	403245-452	SCREW	X	X	X
4	403026	TAKE-UP THREAD GUIDING PLATE WEAR BAR	X	X	X
5	403230-458	WASHER	X	X	X
6	403027	THREAD GUIDE STUD	X	X	X
7-1	403245-451	SCREW	X	X	X
7-2	403253	WASHER	X	X	X
7-3	403029	TENSION MODULE SUPPORTING BRACKET	X	X	X
7-4	403254	PIN	X	X	X
7-5	403030	THREAD TENSION STUD	X	X	X
7-6	403031	TENSION DISC	X	X	X
7-7	403032	TENSION DISC GUIDE	X	X	X
7-8	403033	TENSION DISC	X	X	X
7-9	403034	WASHER	X	X	X
7-10	403035	TENSION DISC RECEASING LEVER	X	X	X
7-11	403036-001	TENSION SPRING HOLDER PLATE	X	X	X
7-12	403037-001	TENSION SPRING	X	X	X
7-13	403038	TENSION ADJUSTING SCREW	X	X	X
7-14	403256	WASHER	X	X	X
7-15	403039-900	TENSION REGULATING	X	X	X
7-16	403257	WASHER	X	X	X
7-17	403245-451	SCREW	X	X	X
7-18	444923-001	TENSION ADJUSTING SCREW WASHER	X	X	X
8	403246	SCREW	X	X	X
9	403231-451	NUT	X	X	X
10	403245	SCREW	X	X	X
11	403040	PRE-TENSION SPRING	X	X	X
12	403044-900	TAKE-UP THREAD GUIDING PLATE	X	X	X
13	403227	NUT	X	X	X
14	403041	THREAD GUIDE	X	X	X
15	403229-454	SCREW	X	X	X
16	403042	THREAD GUIDE MOUNTING BRACKET	X	X	X
17	403668-900	THREAD GUIDE SPRING	X	X	X
18	403369-451	THREAD GUIDE SPRING MOUNTING SCREW	X	X	X
19	403502	THREAD GUIDE ASSY	X	X	X

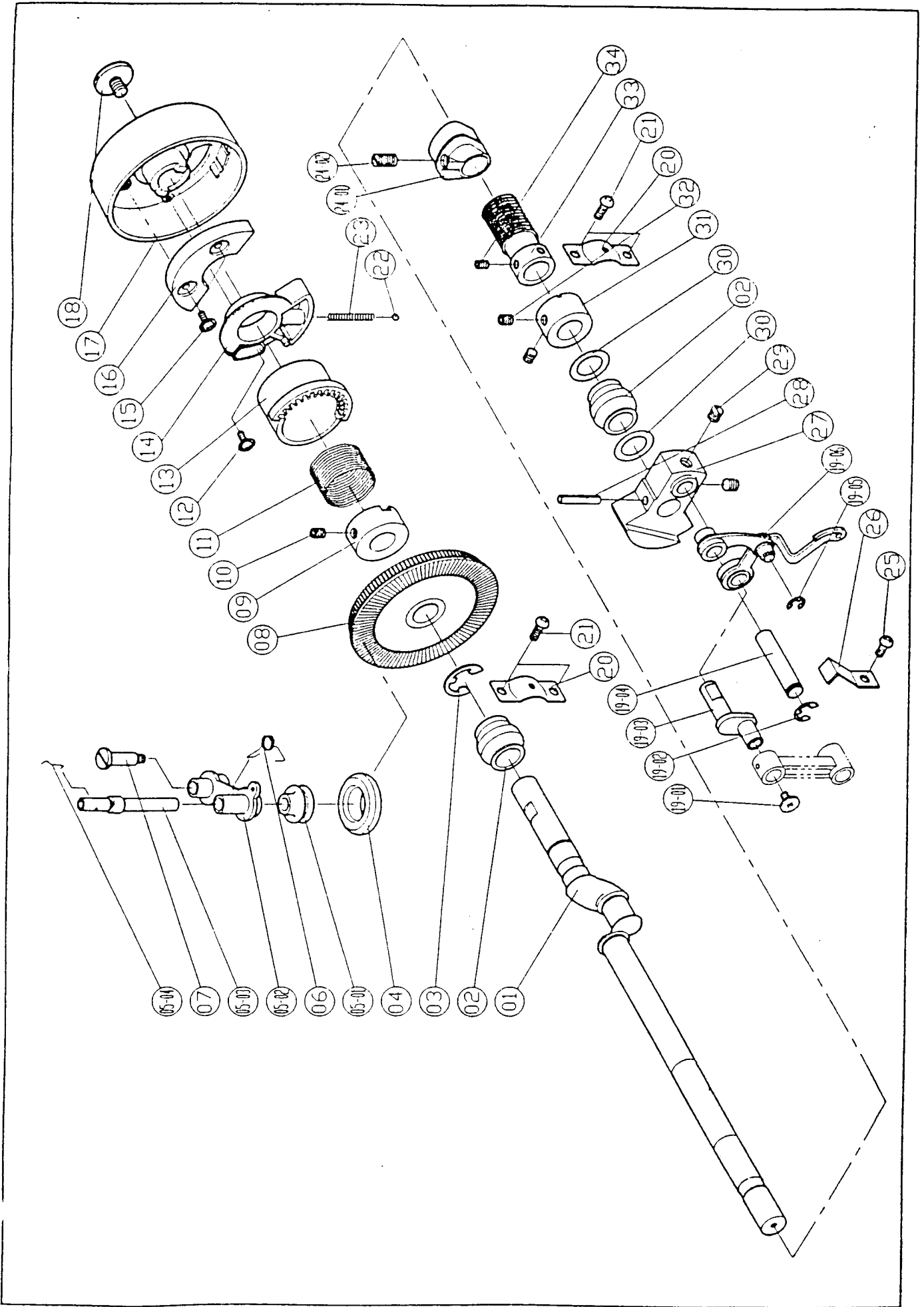


HEAD END PARTS
MODEL : 1019 / 1025 / 1027

REF. NO.	PART NO.	DESCRIPTION	1	1	1
			0	0	0
			1	2	2
			9	5	7
1	403045	SCREW	X	X	X
2	403046	PRESSER BAR SPRING	X	X	X
3	403258	PRESSER BAR MOUNTING BRACKET	X	X	X
4	403248-452	SCREW	X	X	X
5	403048	PRESSER BAR GUIDE PLATE	X	X	X
6	403049	PRESSER BAR	X	X	X
7	403193	PRESSER FOOT THUMB SCREW	X	X	X
8	403194	PRESSER FOOT SHANK	X	X	X
9	403205	ZIG-ZAG PRESSER FOOT	X	X	X
10	403225	NUT	X	X	X
11	403228	NUT	X	X	X
12	403050	TENSION RELEASE LEVER	X	X	X
13	316207-004	E RING	X	X	X
14	403231-453	NUT	X	X	X
15	403051	SPRING	X	X	X
16	403248-451	SCREW	X	X	X
17	403052	NEEDLE BAR GUIDE PLATE COLLAR	X	X	X
18-1	403054	NEEDLE BAR CONNECTING LINK	X	X	X
18-2	403055	NEEDLE BAR CONNECTING STUD	X	X	X
18-3	403056	NEEDLE BAR CONNECTING STUD HINGE PIN	X	X	X
19	403330	WASHER	X	X	X
20	403230-462	WASHER, PLAIN	X	X	X
21	403057	NEEDLE BAR VIBRATING BRACKET	X	X	X
22	316207-003	E RING	X	X	X
23	403058	N. BAR VIBRATING BRACKET CONNECTING STUD	X	X	X
24	403226-451	SCREW	X	X	X
25	403059	DISC SELECTOR ACTUATOR	X	X	X
26	403230-458	WASHER		X	X
27	403241	SCREW		X	X
28	403248-452	SCREW	X	X	X
29	403060	DISC SELECTOR ACTUATOR RETURNING SPRING	X	X	X
30	403061-001	ZIGZAG DRIVING LEVER	X	X	X
31	403062	NEEDLE BAR PLATE ADJUSTING STUD	X	X	X
32	403063	NEEDLE BAR ADJUSTING BRACKET HINGE STUD		X	X
33	403231-453	NUT		X	X
34	403229-455	SCREW	X	X	X

HEAD END PARTS
MODEL : 1019 / 1025 / 1027

REF. NO.	PART NO.	DESCRIPTION	1	1	1
			0	0	0
			1	2	2
			9	5	7
35	403064	PRESSER BAR LIFTER	X	X	X
36	544211-010	SCREW, NEEDLE BAR HOLDER HINGE PIN SETTING	X	X	X
37	316207-004	E RING	X	X	X
38	403065	NEEDLE BAR GUIDE PLATE	X	X	X
39	403249-451	SCREW	X	X	X
40	403066-901	NEEDLE BAR ADJUSTING BRACKET	X	X	X
41	403230-453	WASHER	X	X	X
42	403230-454	WASHER	X	X	X
43	403248-451	SCREW	X	X	X
44	403067-002	NEEDLE BAR	X	X	X
45	403068-002	NEEDLE CLAMP BODY	X	X	X
46	403284	NEEDLE #14	X	X	X
47	403069	NEEDLE BAR STUD	X	X	X
48	37969	WASHER, DISC SELECTOR ACTUATOR SCREW	X	X	X
49	403245	SCREW, NEEDLE BAR GUIDE PLATE	X	X	X
50	403290-004	HEAD END MODULE	X	X	X



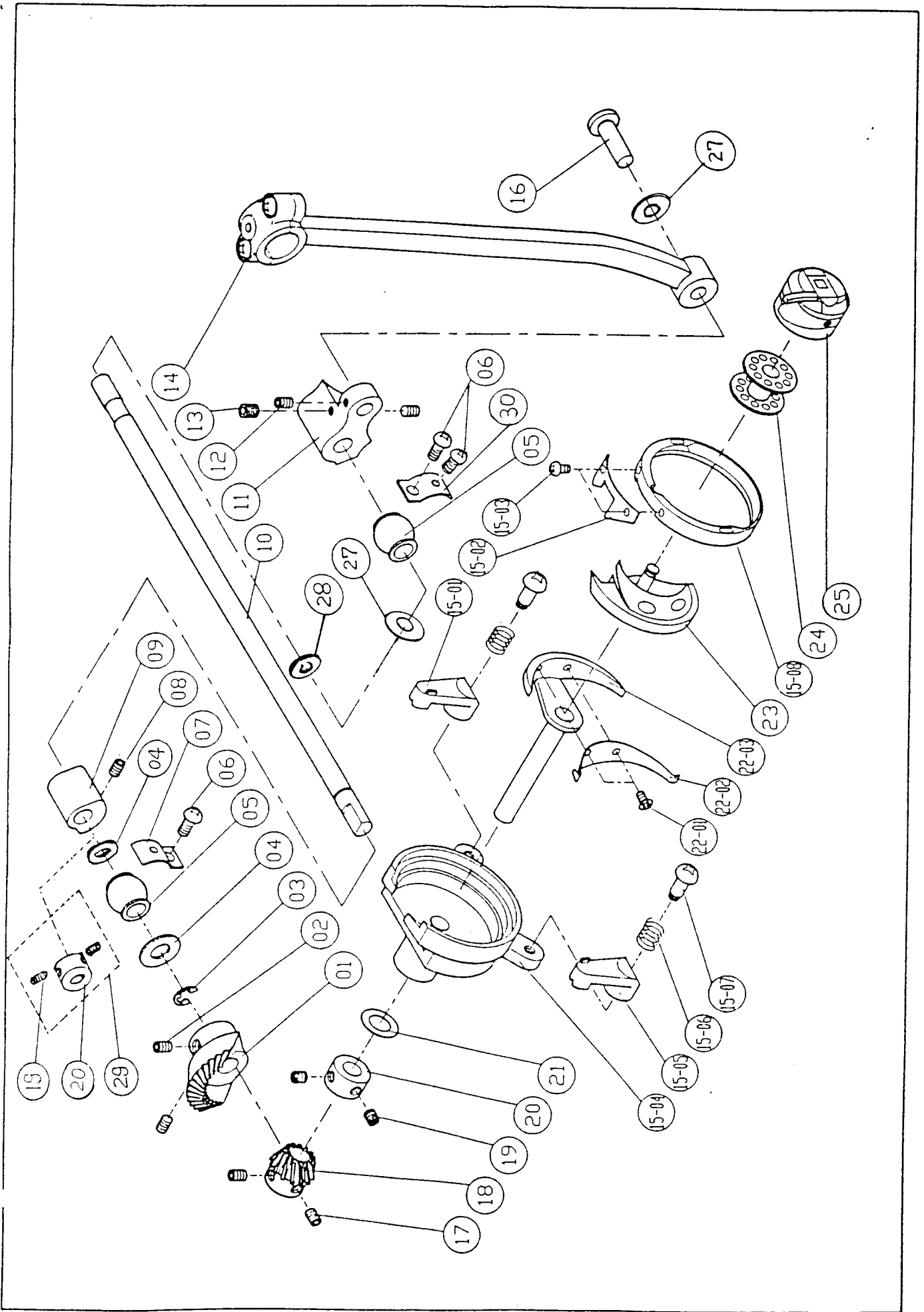
ARM SHAFT, HANDWHEEL AND BOBBIN WINDER
MODEL : 1019 / 1025 / 1027

REF. NO.	PART NO.	DESCRIPTION	1	1	1
			0	0	0
			1	2	2
			9	5	7
1	403071-900	ARM SHAFT	X	X	X
2	403072	ARM SHAFT BUSHING	X	X	X
3	316207-10	E RING	X	X	X
4	403192	B/W FRICTION RING	X	X	X
5-1	403191	B/W PULLEY	X	X	X
5-2	403073	BOBBIN WINDER BODY	X	X	X
5-3	403074	BOBBIN WINDER SPINDLE	X	X	X
5-4	403188	B/W SPRING	X	X	X
6	403075	BOBBIN WINDER SPRING	X	X	X
7	403076	BOBBIN WINDER MOUNTING SCREW	X	X	X
8	403077	HAND WHEEL GEAR	X	X	X
9	403078	HAND WHEEL CLUTCH BUSHING	X	X	X
10	403249-452	SCREW	X	X	X
11	403079	HAND WHEEL CLUTCH SPRING	X	X	X
12	403235-451	SCREW	X	X	X
13	403080	HAND WHEEL CLUTCH	X	X	X
14	403081	HAND WHEEL CLUTCH CONTROL CAM	X	X	X
15	403235-451	SCREW	X	X	X
16	403082	HAND WHEEL WEIGHT BALANCING PLATE	X	X	X
17	403083	HAND WHEEL	X	X	X
18	403084	SCREW, H/W WEIGHT BALANCING PLATE MOUNTING	X	X	X
19-1	403086	SCREW, NEEDLE BAR CONNECTING LINK MOUNTING	X	X	X
19-2	316207-006	E RING	X	X	X
19-3	403087	TAKE-UP LEVER STUD	X	X	X
19-4	403088	TAKE-UP LEVER STUD	X	X	X
19-5	316207-003	E RING	X	X	X
19-6	403089-001	TAKE-UP LEVER	X	X	X
20	403090	ARM SHAFT BUSHING CLAMP	X	X	X
21	403229-455	SCREW	X	X	X
22	403091	STEEL BALL	X	X	X
23	403092	H/W CLUTCH CONTROL CAM SPRING	X	X	X
24-1	403093	FEED CONTROL CAM	X	X	X
24-2	403259	SCREW	X	X	X
25	403229-455	SCREW	X	X	X
26	403094	TAKE-UP LEVER CLAMP	X	X	X
27	403095	ARM SHAFT CRANK	X	X	X
28	403234-451	PIN	X	X	X
29	403244	SCREW	X	X	X

ARM SHAFT, HANDWHEEL AND BOBBIN WINDER

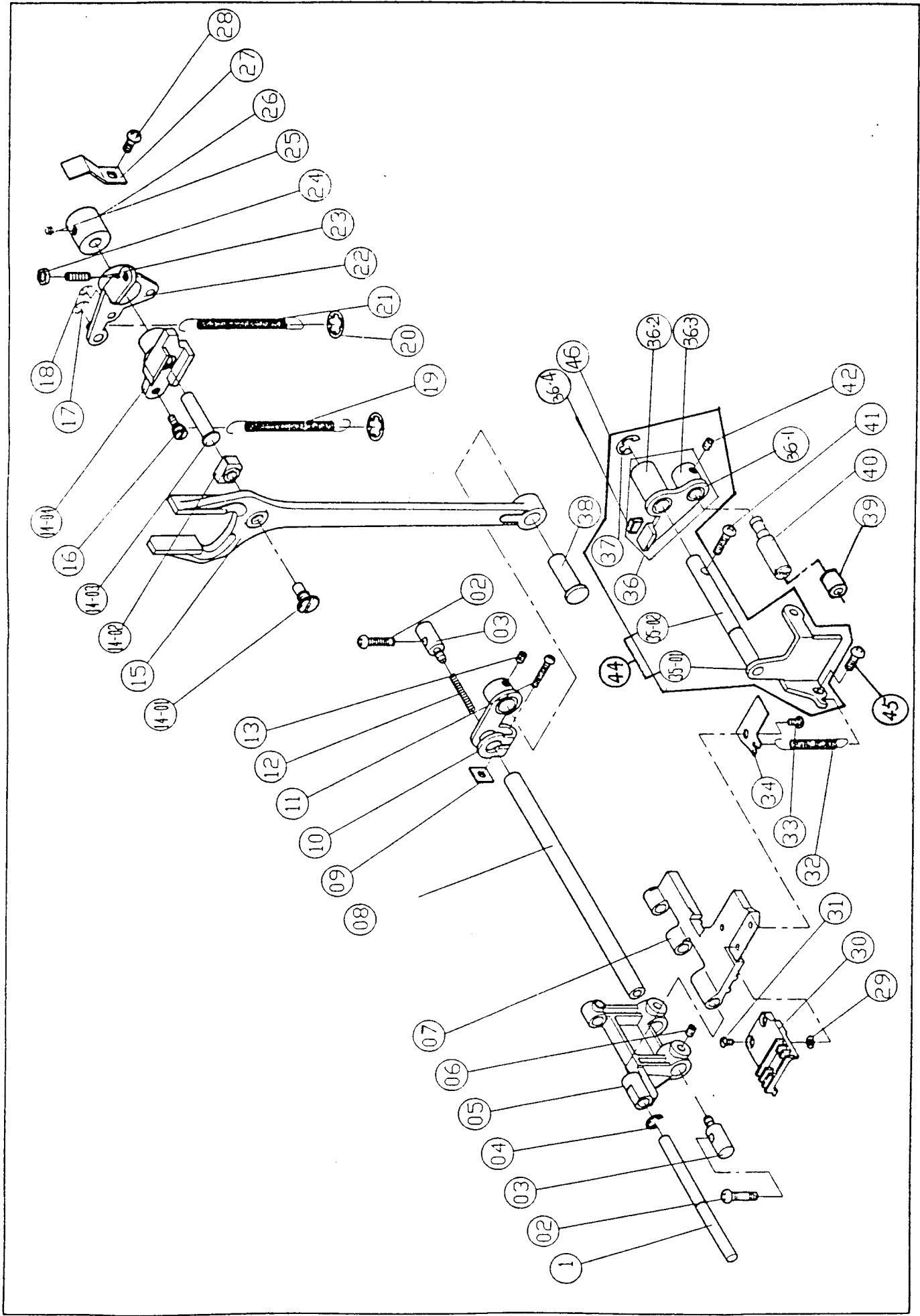
MODEL : 1019 / 1025 / 1027

REF. NO.	PART NO.	DESCRIPTION	1 0 1 9	1 0 2 5	1 0 2 7
30	403250	WASHER	X	X	X
31	403096	ARM SHAFT COLLAR	X	X	X
32	403249-452	SCREW	X	X	X
33	403097	ARM SHAFT GEAR	X	X	X
34	403248-451	SCREW	X	X	X



HOOK DRIVE SYSTEM
MODEL : 1019 / 1025 / 1027

REF. NO.	PART NO.	DESCRIPTION	1	1	1
			0	0	0
			1	2	2
			9	5	7
1	403099	SHUTTLE DRIVING GEAR	X	X	X
2	403249-451	SCREW	X	X	X
3	316207-006	E RING	X	X	X
4	316334	WASHER	X	X	X
5	403100	SHUTTLE DRIVE SHAFT BUSHING	X	X	X
6	403229-455	SCREW	X	X	X
7	403101	SHUTTLE DRIVE SHAFT BUSHING CLAMP	X	X	X
8	403248-451	SCREW	X	X	X
9	403102-001	FEED CONTROL CAM	X	X	X
10	403103	FEED DRIVE SHAFT	X	X	X
11	403104	SHUTTLE DRIVE SHAFT CRANK	X	X	X
12	403248-451	SCREW	X	X	X
13	403249-451	SCREW	X	X	X
14	403105-001	SHUTTLE DRIVE SHAFT CRANK LINK	X	X	X
15-1	403261	SHUTTLE RACE LATCH (R)	X	X	X
15-2	403262	SHUTTLE RACE GATE SPRING	X	X	X
15-3	403263	SCREW, SHUTTLE RACE GATE SPRING MOUNTING	X	X	X
15-4	403106	SHUTTLE RACE FRAME	X	X	X
15-5	403264	SHUTTLE RACE LATCH (L)	X	X	X
15-6	403265	SPRING, SHUTTLE RACE LATCH	X	X	X
15-7	403266	SCREW, SHUTTLE RACE LATCH	X	X	X
15-8	403267	SHUTTLE RACE GATE	X	X	X
16	403107	SHUTTLE DRIVE SHAFT CRANK LINK HINGE PIN	X	X	X
17	403248-451	SCREW	X	X	X
18	403108	SHUTTLE DRIVING GEAR	X	X	X
19	403248-451	SCREW	X	X	X
20	403109	SHUTTLE DRIVER SHAFT AJUSTING COLLAR	X	X	X
21	316334	NYLON WASHER, SHUTTLE DRIVER	X	X	X
22-1	403223	SCREW, SHUTTLE DRIVER SPRING MOUNTING	X	X	X
22-2	403222	SPRING, SHUTTLE DRIVER	X	X	X
22-3	403268	SHUTTLE DRIVER	X	X	X
23	403196	SHUTTLE BODY	X	X	X
24	172336-002	BOBBIN	X	X	X
25	403195	BOBBIN CASE	X	X	X
26	403507	SHUTTLE RACE FRAME ASSY WITH GATE	X	X	X
27	403556	OSCILLATING SHAFT FELT	X	X	X
28	316207-006	OSCILLATING SHAFT FELT HOLDER	X	X	X
29	403307-002	ADJUSTING COLLAR WITH SCREWS	X	X	X
30	403562	SHUTTLE DRIVE SHAFT BUSHING CLAMP (RIGHT)	X	X	X

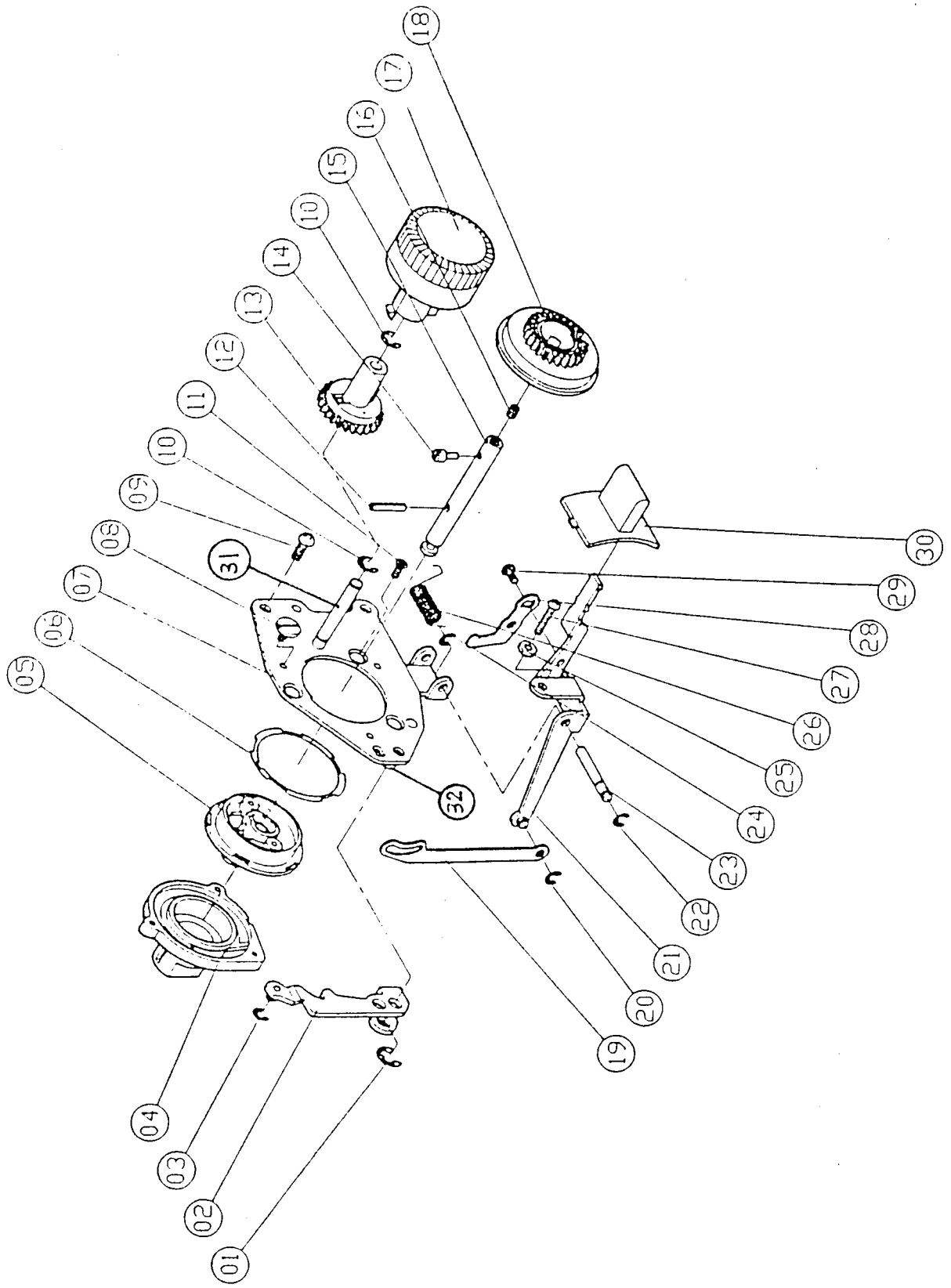


STITCH LENGTH DRIVE
MODEL : 1019 / 1025 / 1027

REF. NO.	PART NO.	DESCRIPTION	1	1	1
			0	0	0
			1	2	2
			9	5	7
1	403111	FEED DOG MOUNTING PLATE SHAFT	X	X	X
2	403233-451	SCREW	X	X	X
3	403112	FEED DOG MOUNTING PLATE HINGE PIN	X	X	X
4	316207-004	E RING	X	X	X
5	403113	FEED DOG DRIVING PLATE	X	X	X
6	403248-451	SCREW	X	X	X
7	403114	FEED DOG MOUNTING PLATE	X	X	X
8	403115	FEED DOG DRIVING SHAFT	X	X	X
9	403239	NUT	X	X	X
10	403116	STITCH LENGTH CONTROL CRANK	X	X	X
11	403229-452	SCREW	X	X	X
12	403117	SPRING, FEED DOG DRIVING SHAFT	X	X	X
13	403248-451	SCREW	X	X	X
14-1	403118	FEED FORKED CONNECTING	X	X	X
14-2	403119	FEED FORK CONNECTING SLIDE BLOCK	X	X	X
14-3	403120	HINGE STUD, FEED REGULATOR CONTROL ARM	X	X	X
14-4	403121	FEED REGULATOR CONTROL ARM	X	X	X
15	403122	FEED FORK CONNECTING	X	X	X
16	403123	SPRING, FEED REGULATOR CONTROL ARM	X	X	X
17	316207-004	E RING	X	X	X
18	316207-003	E RING	X	X	X
19	403124	SPRING, FEED CONNECTING ADJUSTING PLATE	X	X	X
20	403231-452	NUT	X	X	X
21	403125	FEED REGULATOR CONNECTING PLATE	X	X	X
22	403126	FEED REGULATOR CONNECTING PLATE	X	X	X
23	403248-453	SCREW	X	X	X
24	403225	NUT	X	X	X
25	403248-451	SCREW	X	X	X
26	403127	FEED REGULATOR ADJUSTING PLATE BUSHING	X	X	X
27	403128	FEED REGULATOR ADJUSTING PLATE BUSHING CL	X	X	X
28	403229-455	SCREW	X	X	X
29	403230-460	WASHER	X	X	X
30	403129	FEED DOG	X	X	X
31	403221	SCREW	X	X	X
32	403130	SPRING, FEED DRIVING PLATE	X	X	X
33	403220	SCREW	X	X	X
34	403131	FEED DRIVING PLATE	X	X	X
35-1	403135	FEED REGULATOR MOUNTING BRACKET	X	X	X

STITCH LENGTH DRIVE
MODEL : 1019 / 1025 / 1027

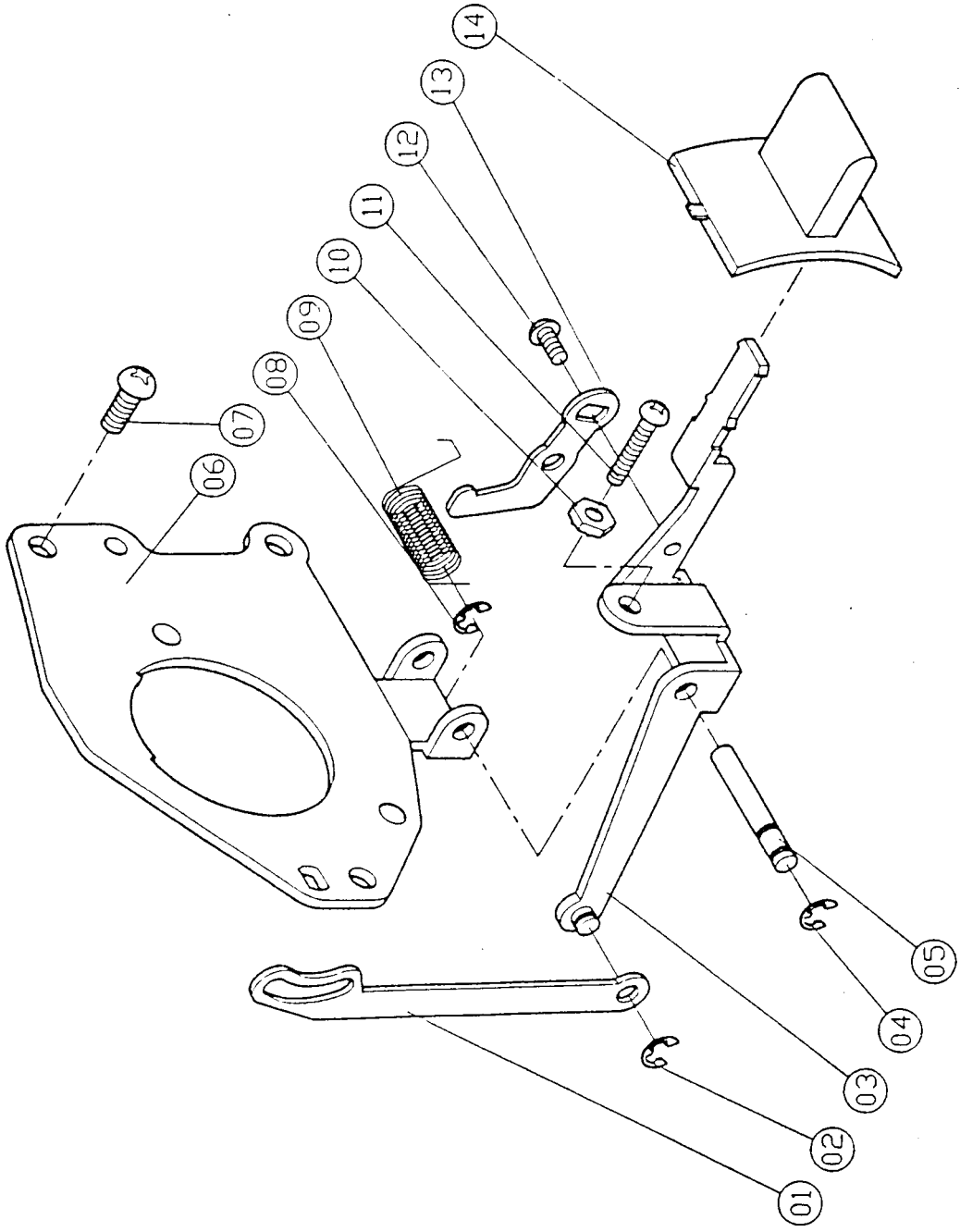
REF. NO.	PART NO.	DESCRIPTION	1	1	1
			0	0	0
			1	2	2
			9	5	7
35-2	403136-900	FEED REGULATOR PIVOT	X	X	X
36	403137-002	FEED REGULATOR SHAFT PLATE ASSEMBLY	X	X	X
36-1	403543-001	FEED REGULATOR SHAFT PLATE	X	X	X
36-2	403544	COLLAR (LONG), FEED REGULATOR SHAFT PLATE	X	X	X
36-3	403545	COLLAR (SHORT), FEED REGULATOR SHAFT PLATE	X	X	X
36-4	403563	INSERT, FEED REGULATOR CONNECTING	X	X	X
37	316207-006	E RING	X	X	X
38	403107-002	FEED FORK CONNECTING STUD	X	X	X
39	403559	COLLAR, FEED REGULATOR CONNECTING STUD	X	X	X
40	403139	FEED REGULATOR CONNECTING STUD	X	X	X
41	403233-452	SCREW	X	X	X
42	403248-451	SCREW	X	X	X
43	403230-453	WASHER, F. REGULATOR PIVOT MOUNTING BRACK	X	X	X
44	403134	FEED REGULATOR PIVOT ASSY	X	X	X
45	403331	SCREW	X	X	X
46	403560-001	FEED LIFT ROCK SHAFT ASSEMBLY	X	X	X



STITCH LENGTH ADJUSTMENT

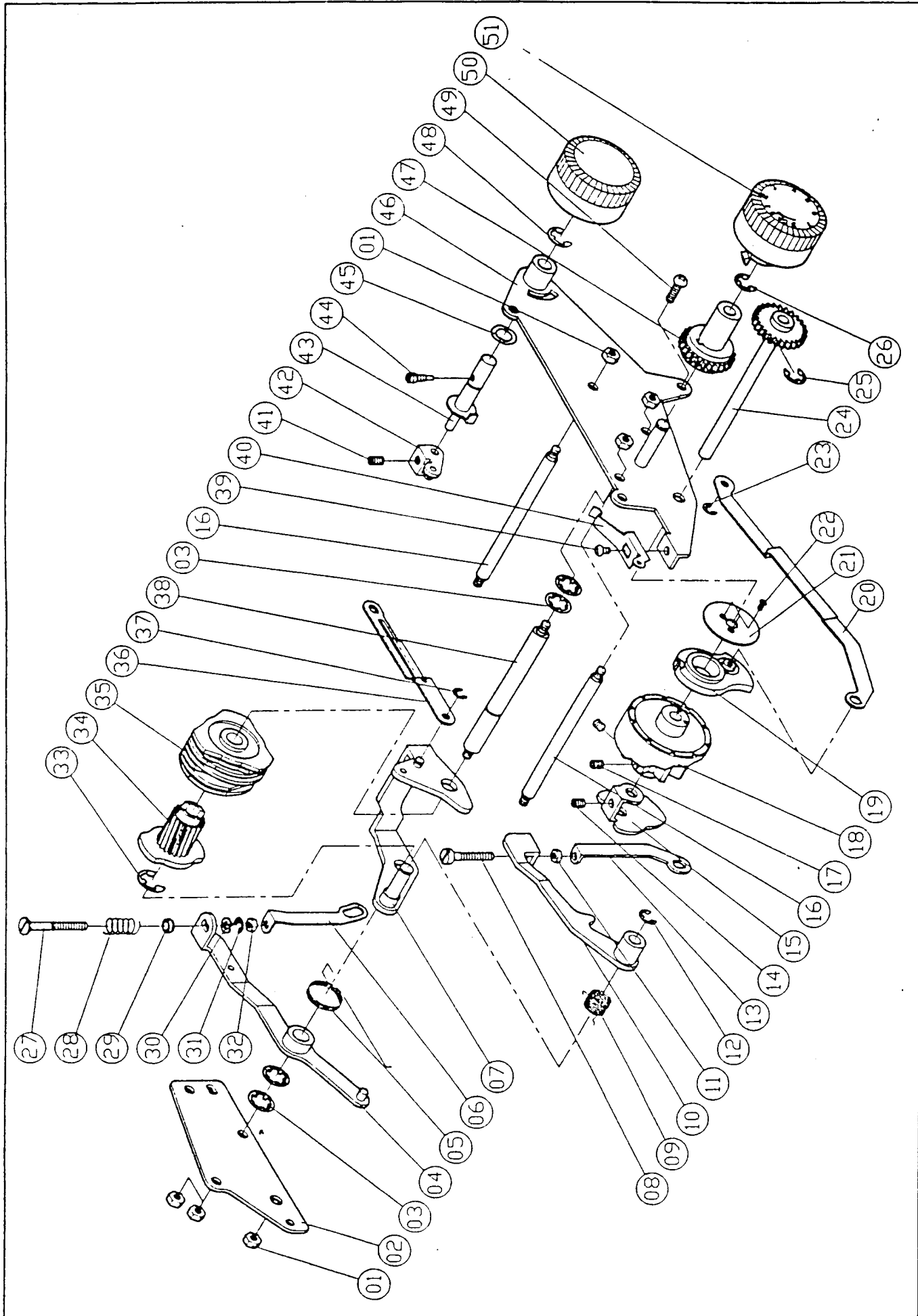
MODEL : 1025 / 1027

REF. NO.	PART NO.	DESCRIPTION	1 0 2 5	1 0 2 7
1	316207-004	E RING	X	X
2	403141	CCF CONTROL PLATE	X	X
3	316207-003	E RING	X	X
4	403142	PATTERN SELECTOR MOUNTING BLOCK	X	X
5	403143	PATTERN SELECTOR CONTROL CAM	X	X
6	403144	WASHER	X	X
7	403145	PATTERN SELECTOR GEAR MOUNTING PLATE ASS	X	X
8	403146	SCREW, PATTERN SELECTOR GEAR MOUNTING PL	X	X
9	403229-455	SCREW	X	X
10	316207-004	E RING	X	X
11	403224	SCREW	X	X
12	403269	PIN	X	X
13	403147	PATTERN SELECTOR GEAR	X	X
14	403148	PIN, PATTERN SELECTOR GEAR SHAFT	X	X
15	403149	PATTERN SELECTOR GEAR	X	X
16	403248-452	SCREW	X	X
17	403150-900	PATTERN SELECTOR CONTROL DIAL	X	X
18	403151	PATTERN SELECTOR CONTROL DIAL GEAR	X	X
19	403152	REVERSE LEVER	X	X
20	316207-003	E RING	X	X
21	403153	REVERSE LEVER MOUNTING PLATE	X	X
22	316207-003	E RING	X	X
23	403154	REVERSE LEVER MOUNTING PLATE HINGE PIN	X	X
24	316207-003	E RING	X	X
25	403225	NUT	X	X
26	403155	SPRING, REVERSE LEVER MOUNTING PLATE	X	X
27	403229-452	SCREW	X	X
28	403156	REVERSE STOPPER PLATE	X	X
29	137813-001	SCREW	X	X
30	403157-451	REVERSE LEVER CONTROL DIAL	X	X
31	403529-900	PATTERN SELECTOR GEAR MOUNTING PIN (RIGHT)	X	X
32	403530-900	PATTERN SELECTOR GEAR MOUNTING PIN (LEFT)	X	X



REVERSE CONTROL
MODEL : 1019

REF. NO.	PART NO.	DESCRIPTION
1	403152	REVERSE LEVER
2	316207-003	E RING
3	403153	REVERSE LEVER MOUNTING PLATE
4	316207-003	E RING
5	403154	REVERSE LEVER MOUNTING PLATE HINGE PIN
6	403528	PATTERN SELECTOR GEAR MOUNTING PLATE
7	403229-455	SCREW
8	316207-003	E RING
9	403155	SPRING, REVERSE LEVER MOUNTING PLATE
10	403225	NUT
11	403229-452	SCREW
12	137813-001	SCREW
13	403156	REVERSE STOPPER PLATE
14	403157-451	REVERSE LEVEL CONTROL KNOB

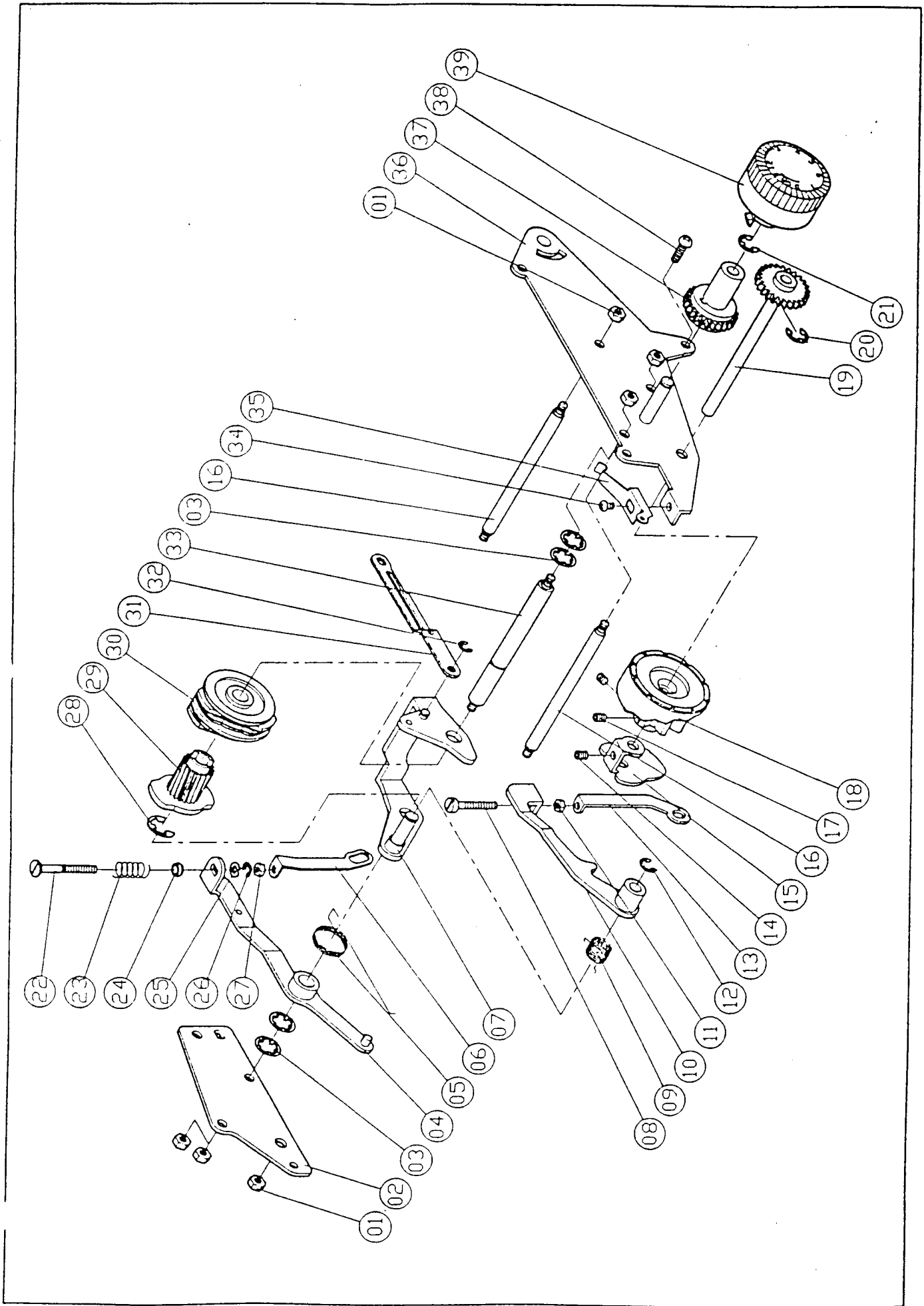


PATTERN SELECTOR MODULE
MODEL : 1027

REF. NO.	PART NO.	DESCRIPTION
1	403228	NUT
2	403158	CAM STACK MOUNTING PLATE
3	403231-454	NUT
4	403159	B/H CONNECTING LINK
5	403160	SPRING, B/H CONNECTOR LINK
6	403161	B/H CONNECTING LEVER
7	403162	PATTERN SELECTOR HINGE STUD
8	403163-002	SCREW, PATTERN SELECTOR ADJUSTING
9	403164	SPRING, PATTERN SELECTOR CONNECTOR LINK
10	403165	CCF FEED CONTROL ARM
11	403225	NUT
12	316207-004	E RING
13	403166	SS LEVER
14	403248-452	SCREW
15	403167	B/H CONTROL CAM
16	403168	PATTERN SELECTOR HOUSING SHAFT
17	403248-451	SCREW
18	403270	PATTERN SELECTOR CAM
19	403169	BIGHT CONTROL CAM
20	403170	BIGHT CONTROL LEVER
21	403171	BIGHT CONTROL LEVER MOUNTING PLATE
22	403236	SCREW
23	316207-003	E RING
24	403172	PATTERN SELECTOR GEAR
25	316307-005	E RING
26	316307-005	E RING
27	403173	SCREW, B/H CONNECTING LINK ADJUSTING
28	403174	SPRING, B/H CONNECTING LINK
29	403175	NYLON BALL
30	403230-458	WASHER
31	316207-003	E RING
32	403225	NUT
33	316207-007	E RING
34	403176	SS CAM
35	403271	CAM STACK
36	403177	SS CONTROL LEVER
37	316207-003	E RING
38	403178	PATTERN SELECTOR CAM SHAFT
39	403248-452	SCREW
40	403179	PATTERN SELECTOR GEAR DETENT SPRING

**PATTERN SELECTOR MODULE
MODEL : 1027**

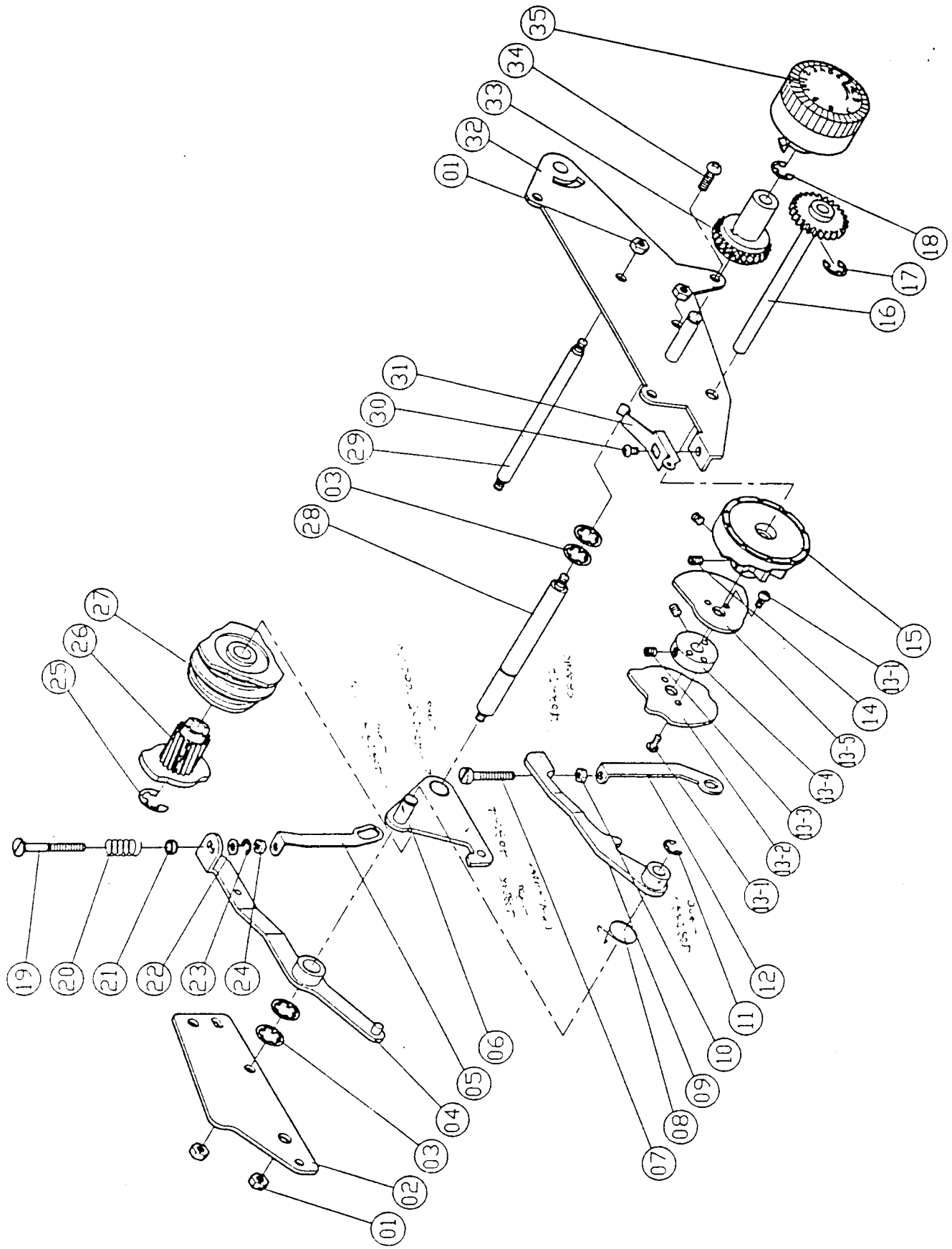
REF. NO.	PART NO.	DESCRIPTION
41	403248-452	SCREW
42	403180	BIGHT CONTROL CRANK
43	403181	BIGHT CONTROL DIAL SHAFT
44	403182	PIN, BIGHT CONTROL SHAFT
45	40327-001	WASHER
46	403183	PATTERN SELECTOR HOUSING PLATE
47	403184	PATTERN SELECTING GEAR
48	316207-006	E RING
49	403229-455	SCREW
50	403185-900	BIGHT AMPLITUDE REGULATING KNOB
51	403186-900	PATTERN SELECTOR KNOB
52	403509-003	PATTERN SELECOTOR MODULE



PATTERN SELECTOR MODULE
MODEL : 1025

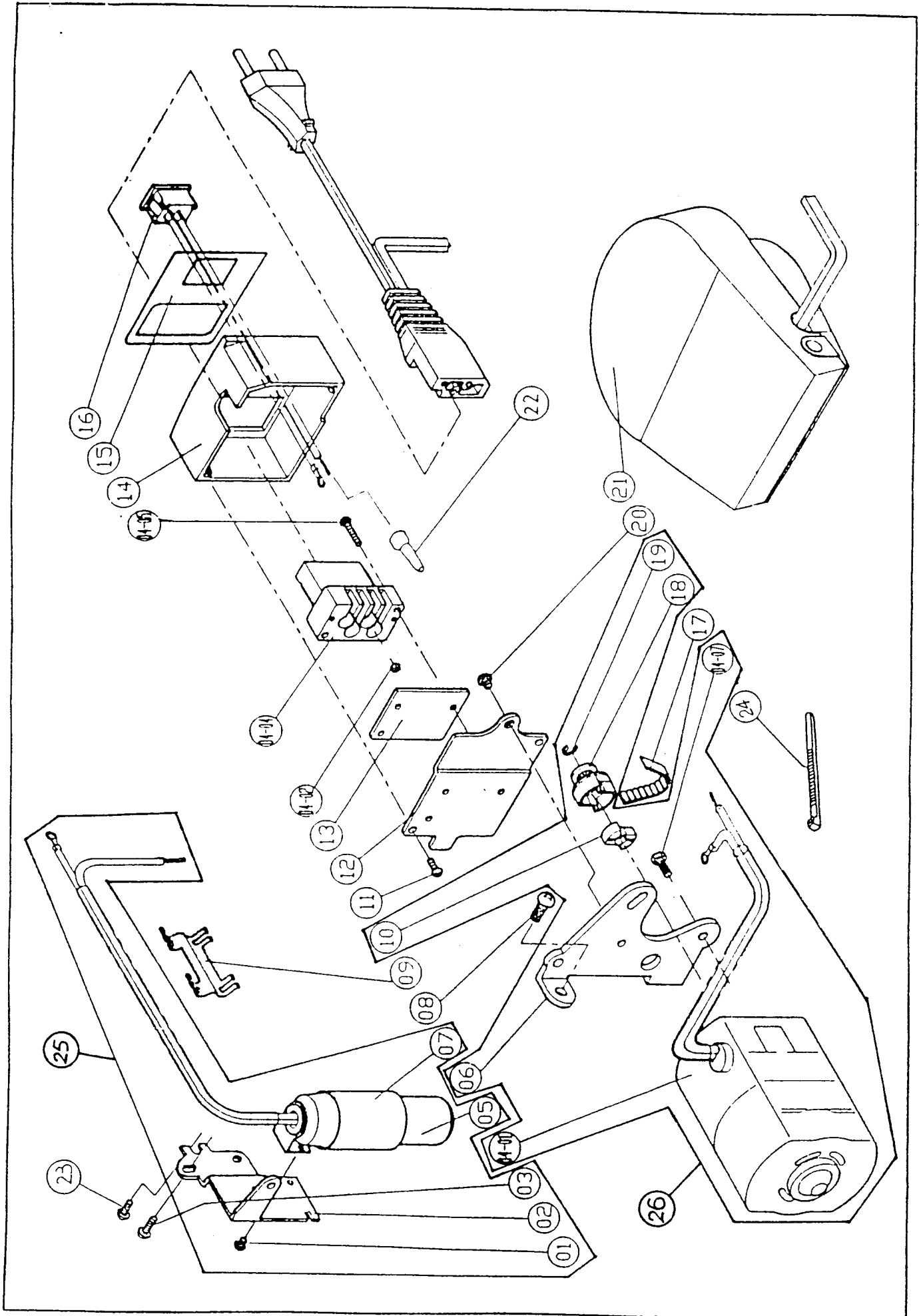
REF. NO.	PART NO.	DESCRIPTION
1	403228	NUT
2	403158	CAM STACK MOUNTING PLATE
3	403231-454	NUT
4	403159	B/H CONNECTING LINK
5	403160	SPRING, B/H CONNECTOR LINK
6	403161	B/H CONNECTING LEVER
7	403162	PATTERN SELECTOR HINGE STUD
8	403163-002	SCREW, PATTERN SELECTOR ADJUSTING
9	403164	SPRING, PATTERN SELECTOR CONNECTOR LINK
10	403165	CCF FEED CONTROL ARM
11	403225	NUT
12	316207-004	E RING
13	403166	SS LEVER
14	403248-452	SCREW
15	403167	B/H CONTROL CAM
16	403168	PATTERN SELECTOR HOUSHING SHAFT
17	403248-451	SCREW
18	403270	PATTERN SELECTOR CAM
19	403172	PATTERN SELECTOR GEAR
20	316207-005	E RING
21	316207-005	E RING
22	403173	SCREW, B/H CONNECTING LINK ADJUSTING
23	403174	SPRING, B/H CONNECTING LINK
24	403175	NYLON BALL
25	403230-458	WASHER
26	316207-002	E RING
27	403225	NUT
28	316207-007	E RING
29	403176	SS CAM
30	403271	CAM STACK
31	403177	SS CONTROL LEVER
32	316207-003	E RING
33	403178	PATTERN SELECTOR CAM SHAFT
34	403246	SCREW
35	403179	PATTERN SELECTOR GEAR DETENT SPRING
36	403183	PATTERN SELECTOR HOUSHING PLATE
37	403184	PATTERN SELECTOR DIAL GEAR
38	403229-455	SCREW
39	403186-453	PATTERN SELECTOR KNOB DIAL
40	403251	WASHER
41	403274	WASHER
42	316207-002	E RING
43	403187	SS ADJUSTING NUT

PATTERN SELECTOR MODULE



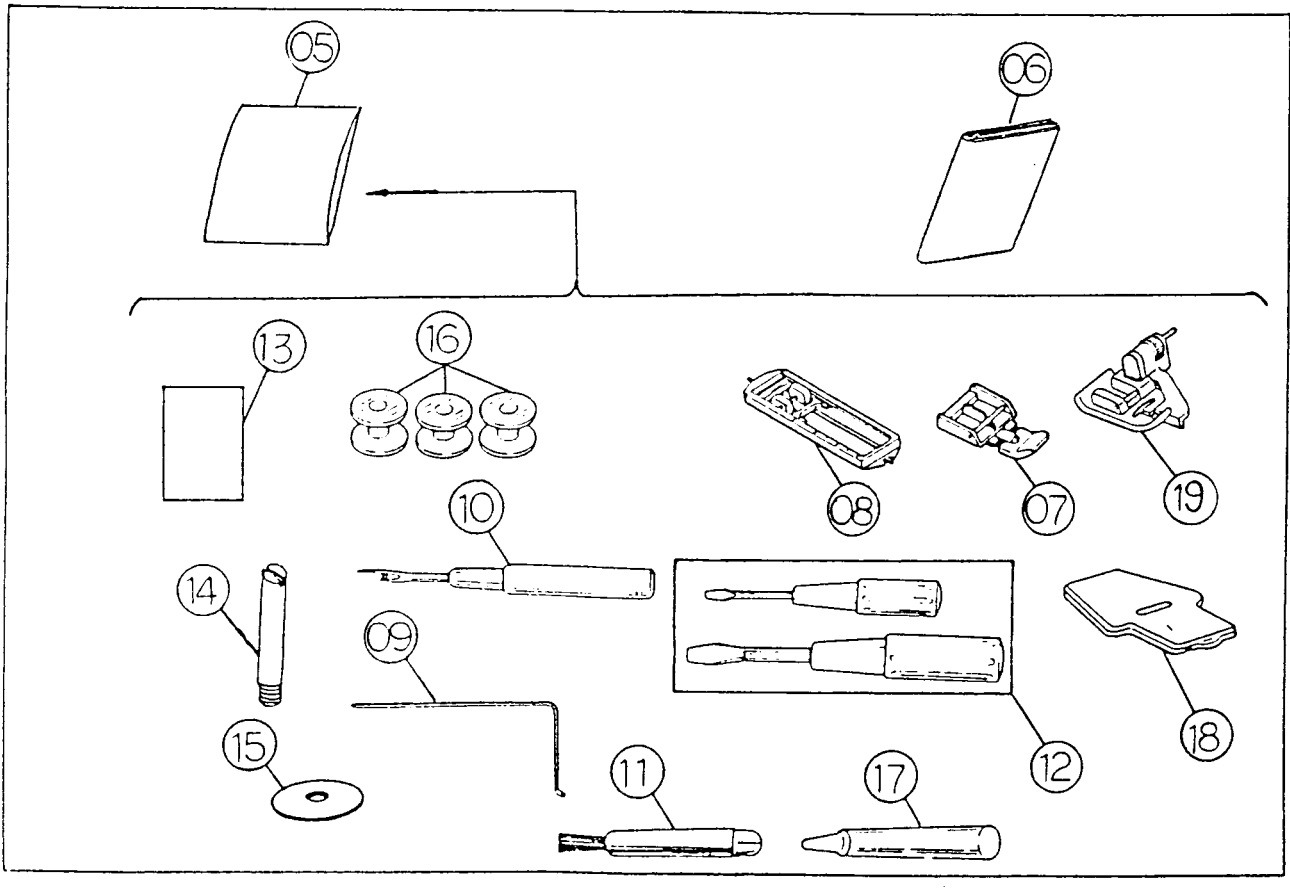
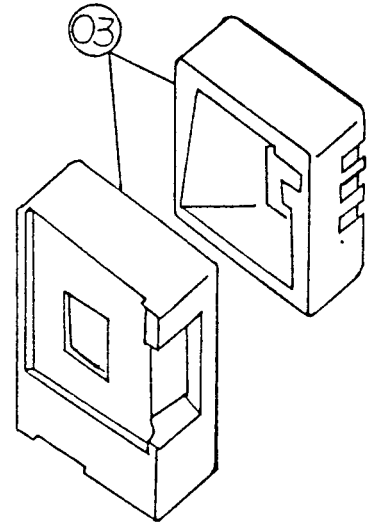
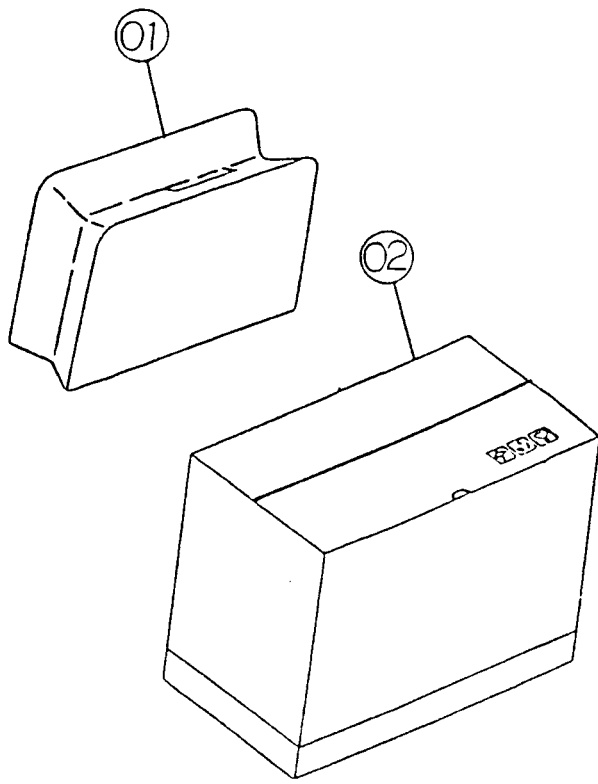
PATTERN SELECTOR MODULE
MODEL : 1019

REF. NO.	PART NO.	DESCRIPTION
1	403228	NUT
2	403158	CAM STACK MOUNTING PLATE
3	403231-454	NUT
4	403159	B/H CONNECTING LINK
5	403161	B/H CONNECTING LEVER
6	403334	SS SELECTION CAM ASSEMBLY
7	403163	SCREW, PATTERN SELECTOR ADJUSTING
8	403335	SS FEED FORK CRANK SPRING
9	403336	SS FEED CONNECTING CRANK ASSEMBLY
10	403225	NUT
11	316207-004	E RING
12	403166	SS LEVER
13-1	403245	SCREW
13-2	403337	B/H SELECTION CAM
13-3	403248-451	SCREW
13-4	403359	B/H CAM
13-5	403338	SHAFT, SUPPORTING
14	403248-451	SCREW
15	403339	PATTERN SELECTOR CAM
16	403172	PATTERN SELECTOR GEAR
17	316207-005	E RING
18	316207-005	E RING
19	403173	SCREW, B/H CONNECTING LINK ADJUSTING
20	403174	SPRING, B/H CONNECTING LINK
21	403175	NYLON BALL
22	403230-458	WASHER
23	316207-002	E RING
24	403225	NUT
25	316207-007	E RING
26	403176	SS CAM
27	403271	CAM STACK
28	403178	PATTERN SELECTOR CAM SHAFT
29	403168	PATTERN SELECTOR HOUSHING SHAFT
30	403246	SCREW
31	403179	PATTERN SELECTOR GEAR DETENT SPRING
32	403183	PATTERN SELECTOR HOUSHING PLATE
33	403184	PATTERN SELECTOR DIAL GEAR
34	403229-455	SCREW
35	403186-452	PATTERN SELECTOR KNOB



ELECTRICAL PARTS
MODEL : 1019 / 1025 / 1027

REF. NO.	PART NO.	DESCRIPTION	1	1	1
			0	0	0
			1	2	2
			9	5	7
1	403245	SCREW	X	X	X
2	403410	LAMP SOCKET MOUNTING PLATE	X	X	X
3	403229-451	SCREW	X	X	X
4-1	403401-001	MOTOR (120V)	X	X	X
4-2	403227	LEAD MOUNTING SCREW	X	X	X
4-4	403285-001	MOTOR RECEPTACLE	X	X	X
4-5	403242	SCREW	X	X	X
4-7	403226-452	NUT, MOTOR MOUNTING	X	X	X
5	403402-001	LIGHT BULB (120V)	X	X	X
6	403411	MOTOR MOUNTING PLATE	X	X	X
7	403412-001	LAMP SOCKET (120V)	X	X	X
8	403243	SCREW	X	X	X
9	403413-002	LIGHT CORD RETAINER (120V)	X	X	X
10	403414	MOTOR PULLEY CUSHING	X	X	X
11	403238	SCREW	X	X	X
12	403409	APPLIANCE COUPLER HOLDER	X	X	X
13	403415-003	INSULATING PLATE (N. AMERICAN)	X	X	X
14	403416	RECEPTACLE HOLDER BOX	X	X	X
15	403407-001	POWER SWITCH NAME PLATE (120V)	X	X	X
16	403417-001	SWITCH	X	X	X
	403417-002	SWITCH	X	X	X
17	403418	MOTOR BELT	X	X	X
18	403419	MOTOR PULLEY	X	X	X
19	316207-003	E RING	X	X	X
20	403229-453	SCREW	X	X	X
21	403333-001	FOOT CONTROLLER (120V)	X	X	X
22	403200	CLOSE-END WIRE CONNECTOR	X	X	X
23	403229-455	SCREW	X	X	X
24	540899	CORD RETAINER	X	X	X
25	403510-001	LIGHT COMPLETE (120V)	X	X	X



ACCESSORY AND PACKING

MODEL : 1019/1025/1027

REF. NO	PART NO	DESCRIPTION	1 0 1 9	1 0 2 5	1 0 2 7
1	403275-451	DUST COVER	X	X	X
2	403278-012	CARTON BOX	X		
	403278-001	CARTON BOX (BROWN)		X	
	403278-014	CARTON BOX			X
3	403276-900	COCOON	X	X	X
5	403493	ACCESSORY BAG	X	X	X
6	403558-001	INSTRUCTION BOOK	X	X	X
7	403211	ZIPPER FOOT	X	X	X
8	403210-001	BUTTONHOLE FOOT	X	X	X
9	403212	QUILTING GUIDE	X	X	X
10	403281	SEAM PIPPER	X	X	X
11	403216	CLEANING BRUSH	X	X	X
12	403213	DRIVER SET (L&S)	X	X	X
13	353364	NEEDLE PACK	X	X	X
14	403217	SPOOL PIN (FOR TWIN NEEDLE)	X	X	X
15	403209	FELTS	X	X	X
16	316365-451	BOBBIN	X	X	X
17	403282	OILER	X	X	X
18	403208	DARNING PLATE	X	X	X
19	316003	BLIND HEM FOOT	X	X	X